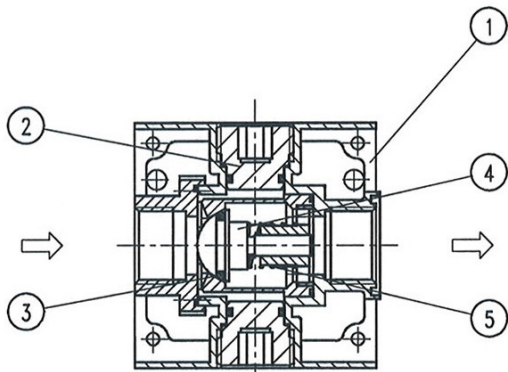


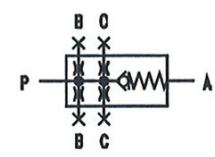
item	type	V 11	V 12
port size		G 1/4	G 3/8
description		seat valve, spring loaded	
mounting		arbitrary	
supply pressure		Pe max. 16 bar	
aperture pressure		Pe min. 0,1 bar	
media and ambient temperature		-10 to 60 °C (other temperature ranges available upon request)	
discharge P-B G 1/4		Qn 675 l/min (bei Pe = 6 bar, Δp = 1 bar)	
discharge P-C G 1/4		Qn 450 l/min (bei Pe = 6 bar, Δp = 1 bar)	
fixing		bracket or througe 2 holes in the body	
weight		0,330 kg	





**replacement parts**

no	description	material	order-no.
1	body	Zink - Z 410	---
2	blanking plug	brass - NBR	---
3	O-ring 6x1,5	NBR	---
4	plunger	brass	---
5	spring	stainless steel	---



**series 1**  
ordering information

**V \*\***

type

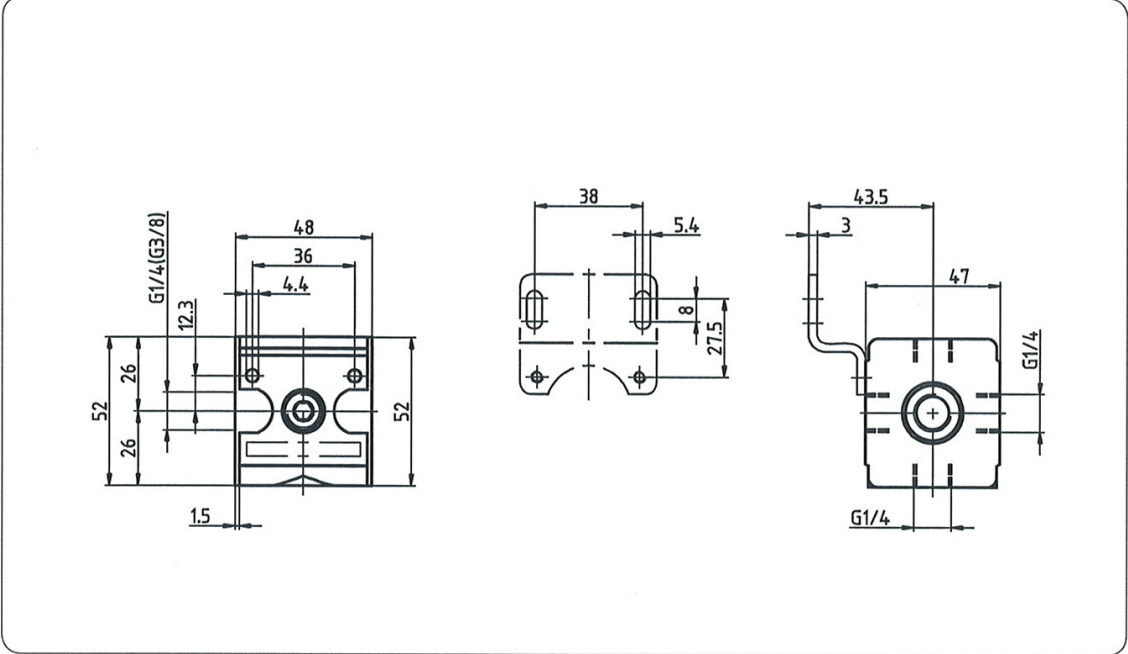
**1** port size

ordering example: V 11

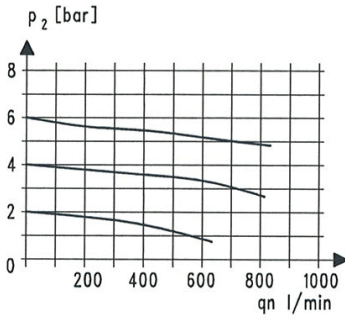
1 port size	
11	G 1/4
12	G 3/8
2 options	

- application information**
- easy block assembly for components to be connected in series
  - for service units of series 1 use the distribution block V 11
  - interlocking of serval individual devices requires couplin kit(s) KP 11
  - interlocking of serval individual devices with narrow distributor Z 11 requires couplin kit(s) KP 11 Z

dimensions (mm)



flow characteristics



accessories

<p>type: ZW 11</p>	

various application

